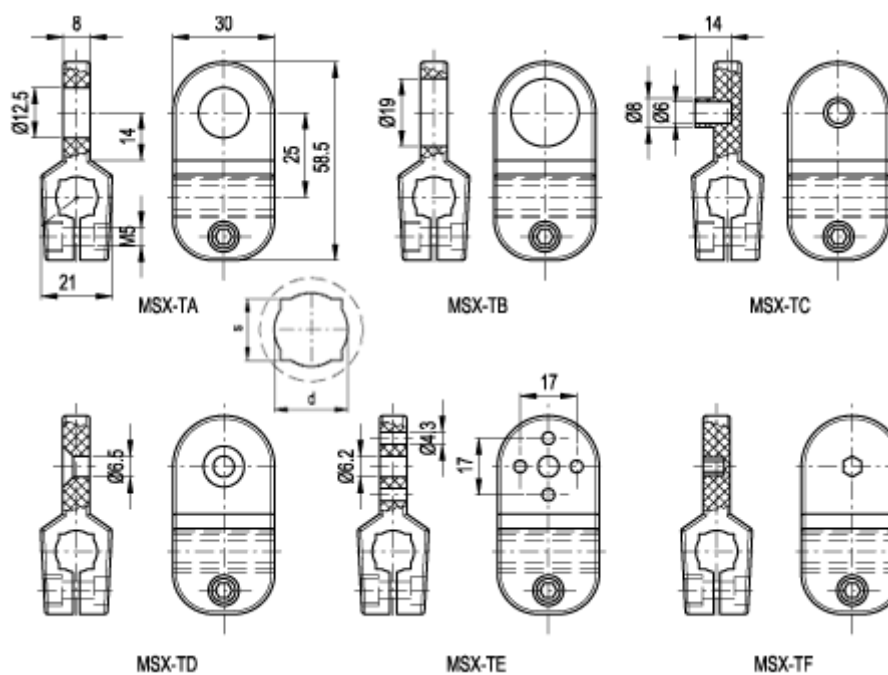


Article number: 2310440152

Description: E+G MSX Device clamp
MSX.56-TF-10-12

Measures



| | |
|---------------------|-------------------|
| d | = 12 |
| Rotation resistance | = 4.5 |
| s | = 10 |
| Torque (N m) | = 1000 |
| Type | = MSX.56-TA-10-12 |